



**SPECTRA**  
WATERMACHINES™

# Watermachine

*Turbine Series*



1000 gal/day  
Watermachine

# Watermachine Turbine 1000

## *Easy to Use, Easy to Install, Super Quiet Automated Operation*

The **Watermachine Turbine Series** is the latest innovation from Spectra Watermakers, Inc. Watermachine provides the ultimate in reliability, automation and quiet operation. The Watermachine Turbine Series utilizes a quiet water cooled turbine pump rated at 40,000 continuous duty hours.

### **Totally Automated Water Production**

The totally automated Watermachine Turbine Series' one button fills and controls tank levels, monitors salinity, filter and sea-strainer condition. The self diagnostic system will alert you to any potential problems and inform you of the necessary actions. The super quiet Turbine Pump along with the legendary Spectra High-Pressure Clark Pump Intensifier result in the quietest operating watermaker available on the market today. Rugged construction is built around a single welded stainless powder coated frame. Quick-release panels allow for easy access while the low maintenance brushed stainless steel enclosure wipes clean and looks fantastic in seconds. Membrane and Spectra High-Pressure Intensifier modules can be split from the main frame for more flexible mounting options.

### **No Power Surges**

The Watermachine Turbine Series incorporates a Variable Frequency Drive for soft starts and international electrical cycle compatibility.

### **No Pickling-Ever!**

The optional **Z-Brane™** system will completely eliminate pickling. The Z-Brane is left "on" at all times to protect your membrane. It comes pre-wired to connect a back up battery directly to the unit in case of a primary power failure.

### **MPC-3000 Controller**

*Simple one button operation.*

All Watermachine functions are controlled from one 5 1/4" x 3 3/4" control display panel located in a convenient space of your choosing away from the Watermachine. Multiple control display panels can be added for even more system monitoring. The electrical control box has a built-in manual override so the watermaker can also work without the MPC-3000 electronic control.

### ***Just set it and forget it!***

**MPC-3000** displays the pre-filter condition, feed water pressure, water tank full status (with optional tank switch), product water quality, flow rate and total system hours. One touch to the MPC-3000 touch pad sets the Watermachine in motion. Reject water is automatically diverted back to the ocean. The controller has the Watermachine produce the desired amount of water, fill the tanks, then flush itself clean and shut down.

### **Leaving the vessel for a while?**

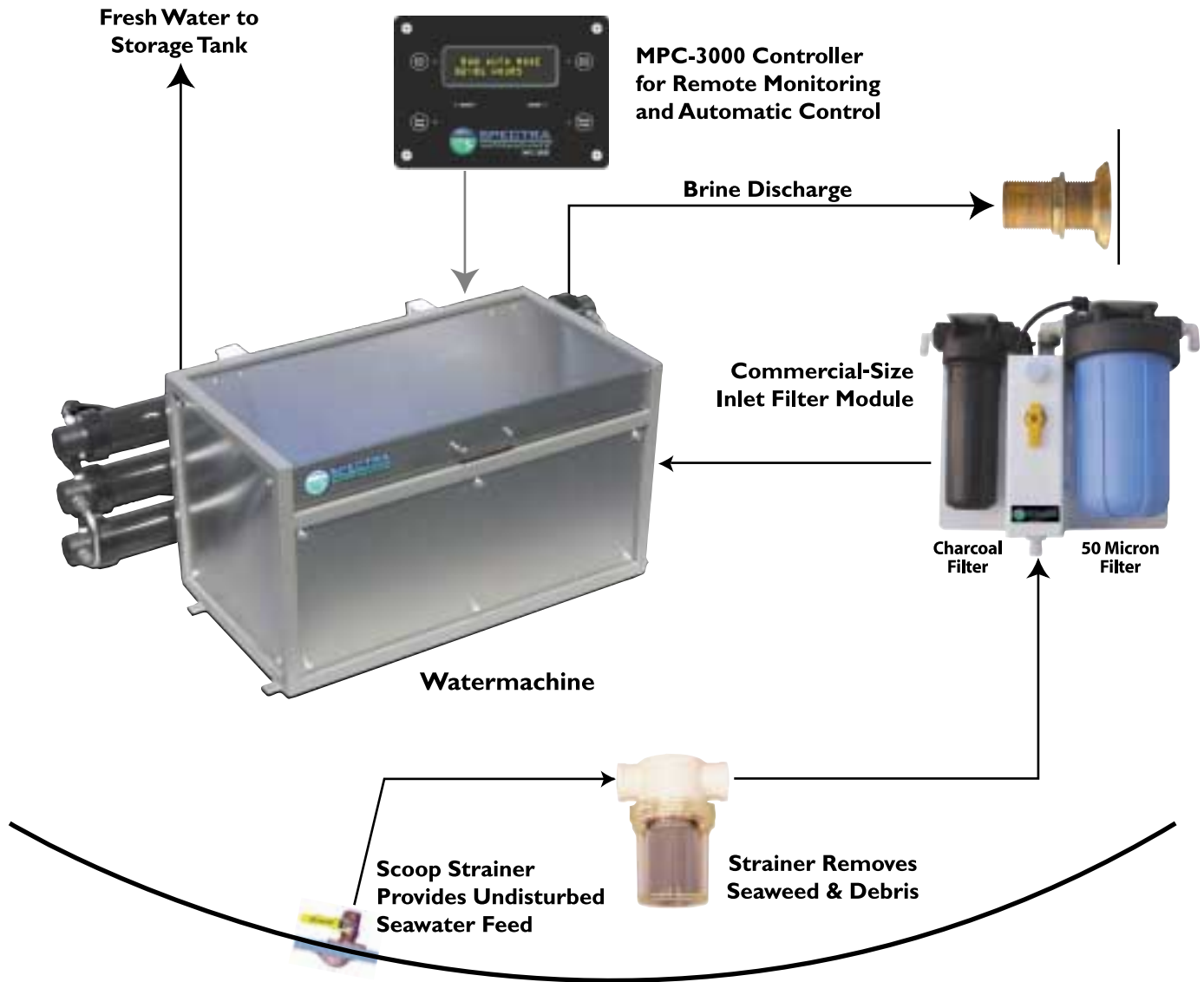
The MPC-3000 can also be programmed to keep your Watermachine in a fresh water storage state for as long as you like. Just press the **Auto-Store** button and the MPC-3000 controller will do an automatic flush every 5 days. No more worries about messy storage chemicals. And when you return to your vessel, your system is ready to just start and go.

Z-Brane™ keeps the system clean without chemicals. Top off your Spectra system with a Z-Brane™. This revolutionary technology keeps the Spectra Watermachine clean and free of bio-fouling and scaling. Cleaning with chemicals substantially shortens the usable life of reverse osmosis membranes. The Z-Brane™ totally eliminates the need for harsh chemicals used to clean and store your watermaker.

Ask your distributor about the Z-Brane™ and Z-Guard™ protection systems.

**For more information ask your distributor or call 415 526-2780**

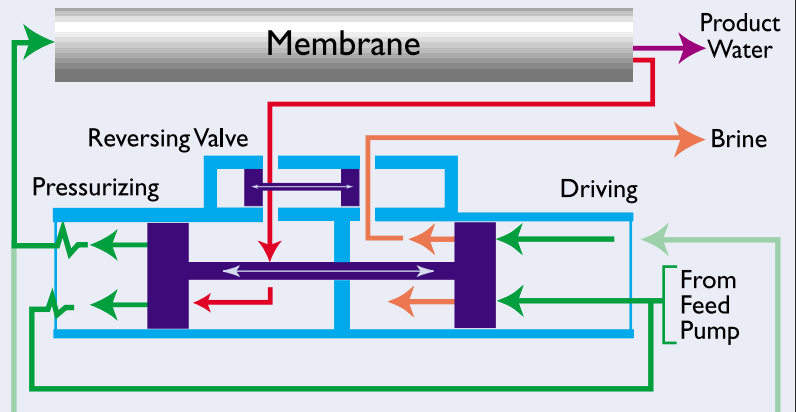
# System Layout



## Spectra's Exclusive Intensifier – *Quiet, Efficient, Reliable*

### Spectra's Exclusive Two Stage Intensifier System *Revolutionary Watermaking Development*

In 1997 Spectra pioneered a new and highly efficient watermaker system. The Spectra Intensifier reduces energy consumption by as much as 75% over conventional systems. Units are constructed of modern composites and engineered plastics to deliver many years of quiet, reliable service. Spectra has tens of thousands of hours of field experience and a worldwide service network.



*Continued on reverse side*

# Watermachine Turbine 1000

## Rated Capacity

Turbine 1000 - 1000 GPD (3700 LPD) 41 GPH (155 LPH)

Turbine 700 - 700 GPD (2600 LPD) 29 GPH (109 LPH)

Turbine 400 - 400 GPD (1500 LPD) 17 GPH ( 64 LPH)

(Rated at 77°F (25°C) seawater temperature at 35,000 PPM dissolved solids + 15%)

## Variable Frequency AC Drive

For Soft Starts and international power compatibility

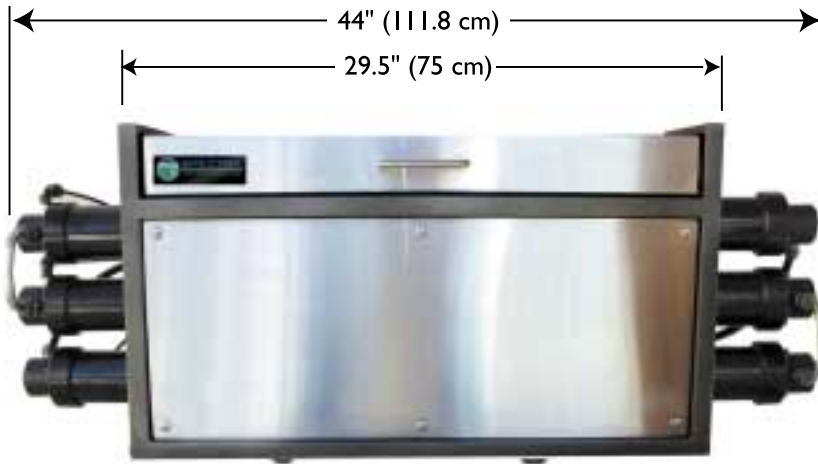
## Power Requirements

220 -240 Volts AC 50/60 Hz 8 Amps (2KW)

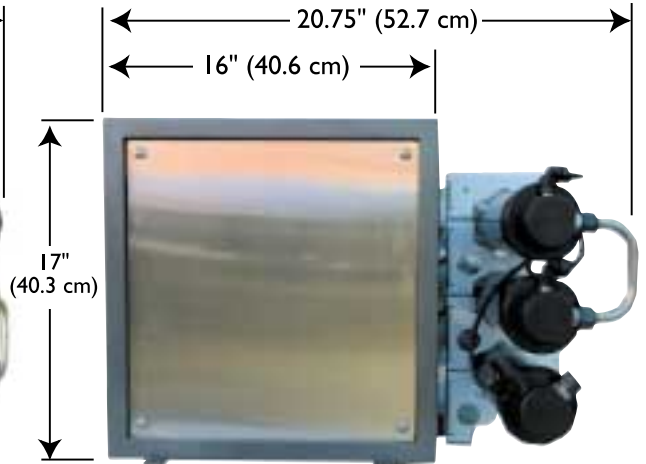
Control voltage required 12V or 24V

## System Weight

125/145 Lbs (max) (56.7/65.8 kg)



**Watermachine 1000**  
Front View



**Watermachine 1000**  
Side View



Depth= 8" (20.3 cm)  
**Inlet Filter Module**



Depth= 1.625" (4.25 cm)  
**MPC 3000 Control Display**



**SPECTRA**  
WATERMACHINES™

### Spectra Watermakers, Inc.

20 Mariposa Road, San Rafael, CA 94901  
phone: 415 526-2780 • fax: 415 526-2787  
www.spectrawatermakers.com

Distributor